

SPECIFICATION DATA SHEET

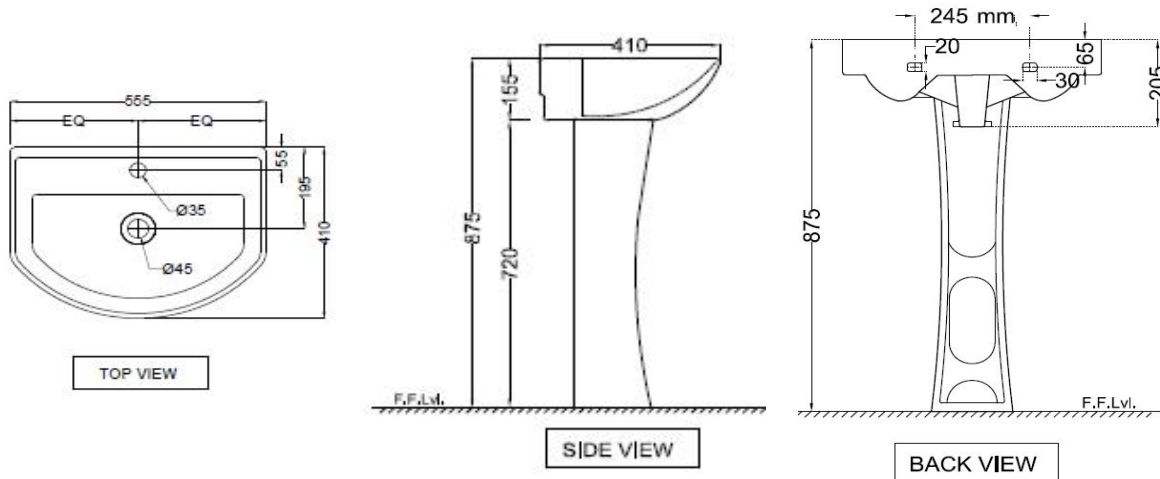
PRODUCT DETAILS

Manufacturer :	ESSCO	Type:	Wall Hung Basin
Outlet	Vertical	Colour:	White
Technical Details:	Tap hole dia. $\varnothing 35 \pm 2$ mm	Material:	Ceramic - Vitreous China
	ID of waste outlet hole dia. $\varnothing 45 \pm 3$ mm Horizontal distance between the center line of the tap hole and the center line of the waste outlet hole ≤ 140 mm		

PRODUCT IMAGE



TECHNICAL DRAWING



Product Dimension	555x410x205 mm With pedestal 875 mm	FEATURES Basin with Tap Hole, Packed with Overflow Hole Cap and Fixing Accessories ,Anti germ glaze
Basin Inner Dimension	460X250X145 mm	
Product Weight	13.5 kg	
ACCESSORIES INCLUDED		
Overflow hole Cap		ZPS-WHT-9012
Basin fixing screw		ZPS-MST-RB03
ACCESSORIES EXCLUDED		

CERTIFICATION

Compliance : IS 2556.4:2004, IS 2556.1:1994, BS EN 14688 :2015

All technical dimensions are in accordance to British standards, Bureau of Indian Standards



DISCLAIMER: Our every effort has been made to ensure factual accuracy, the information presented subject to changes due to requirements in different sites, markets and/ or countries. All dimensions are in mm (Tolerance ± 5 MM). Jaquar reserves the right to make the necessary amendments at any time without prior notice.